



GÜTHLE

ROLLBLOC

→ ROLLBLOC DIE LOADING ARMS

PRELIMINARY INFORMATION FOR PROJECT PLANNING AND ORDERING

ROLLBLOC die loading arms are the ideal complement to the ROLLBLOC die lifters for transporting dies with a crane or conventional stacker truck.

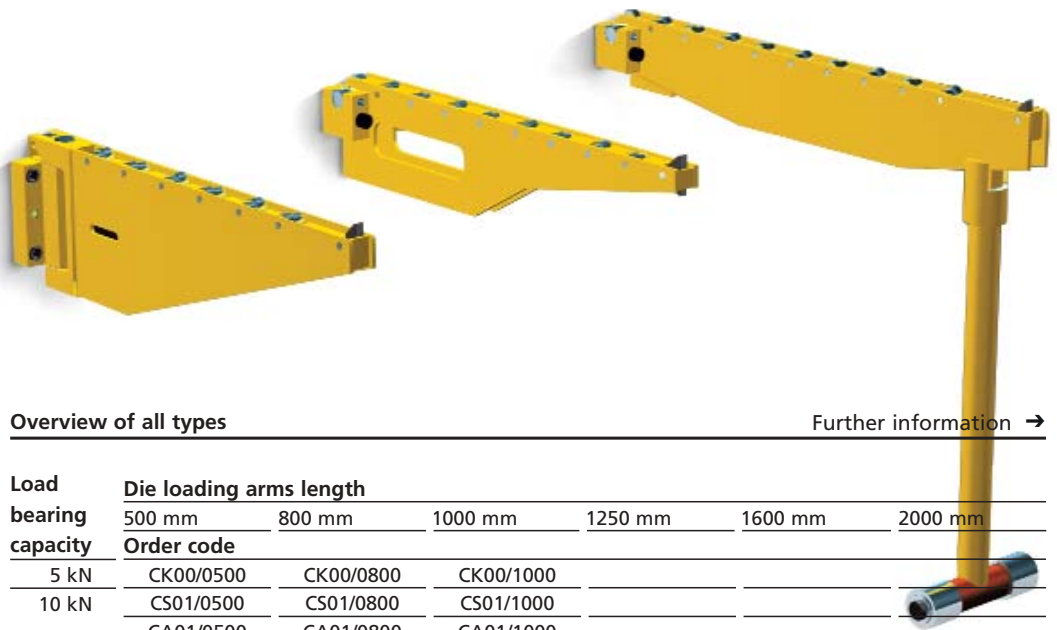
Permanently mounted to the press table – or attachable as required

Different die loading arms designs enable effective adaptation to the die weight and format while taking into consideration the space available.

ROLLBLOC die loading arms are always used only in **pairs**. Statics do not permit the load bearing capacity to be increased by using further loading arms. If the die loading arms are mounted to the front of the press bed plate, ensure that the installation **height is sufficient**. **Adequate overall height** must be ensured when attaching the loading arms to the front of the press table plate.

Swivel die loading arms are flange-mounted. When not required they are simply swivelled to the side. The different versions ensure the space available in front of the press table can be used most effectively.

Overhung and bridge version die loading arms are only attached in fixed mounting hooks directly when required. This mounting technology facilitates the use of die loading arms on **several presses**.



Overview of all types

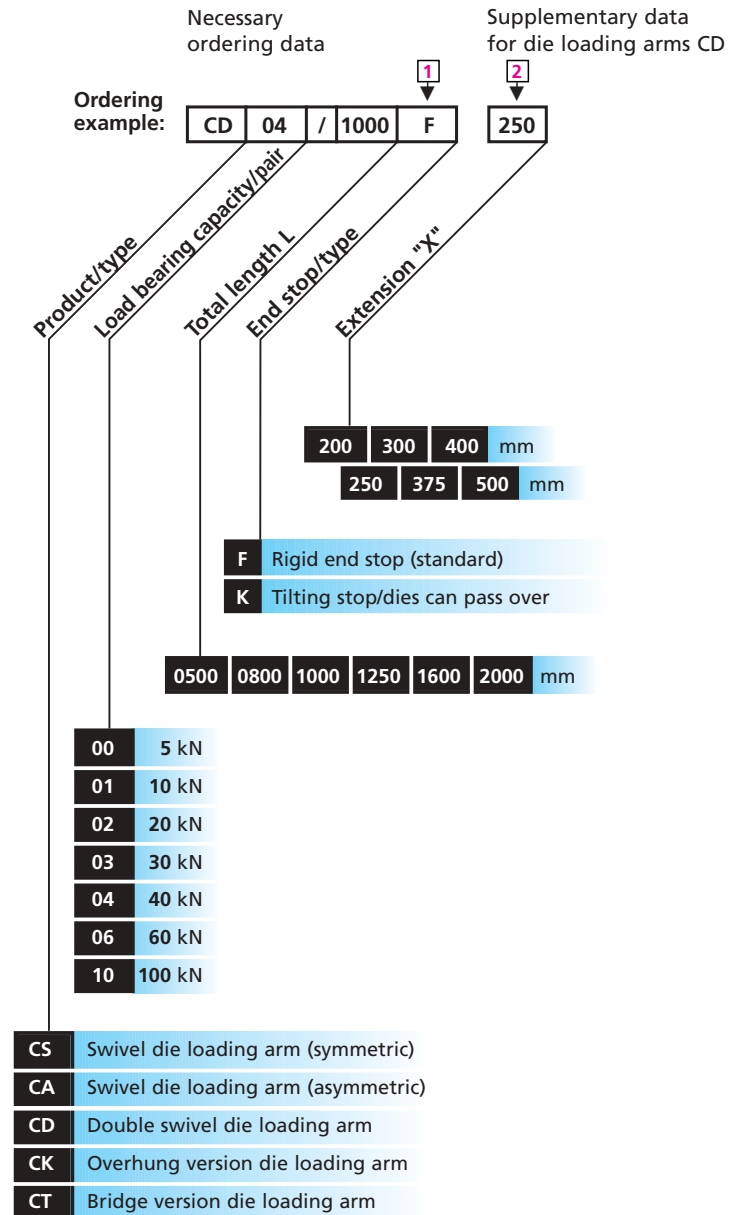
Further information →

Load bearing capacity	Die loading arms length					
	500 mm	800 mm	1000 mm	1250 mm	1600 mm	2000 mm
	Order code					
5 kN	CK00/0500	CK00/0800	CK00/1000			
10 kN	CS01/0500	CS01/0800	CS01/1000			
	CA01/0500	CA01/0800	CA01/1000			
	CD01/0500	CD01/0800	CD01/1000			
20 kN	CK01/0500	CK01/0800	CK01/1000			
	CS02/0500	CS02/0800	CS02/1000			
	CA02/0500	CA02/0800	CA02/1000			
	CD02/0500	CD02/0800	CD02/1000			
30 kN					CT02/1000	CT02/1250
					CT02/1600	
40 kN	CK03/0500	CK03/0800	CK03/1000			
		CS04/0800	CS04/1000	CS 04/1250		
		CA04/0800	CA04/1000	CA04/1250		
		CD04/0800	CD04/1000	CD04/1250		
60 kN			CT04/1000	CT 04/1250	CT04/1600	
		CS06/0800	CS06/1000	CS 06/1250		
		CA06/0800	CA06/1000	CA06/1250		
100 kN		CD06/0800	CD06/1000	CD06/1250		
				CT 06/1250	CT06/1600	CT06/2000
				CT 10/1250	CT10/1600	CT10/2000

The guide
to simple and exact

→ ORDER DESIGNATION

FOR ROLLBLOC DIE LOADING ARMS



→ BRIDGE VERSION DIE LOADING ARMS

→ FOR USE WITH DIE LOADING ARM HOOKS

LARGE WORKING RADIUS – LOW ATTACHMENT HEIGHT

ROLLBLOC Die Loading Arms CT 02/04

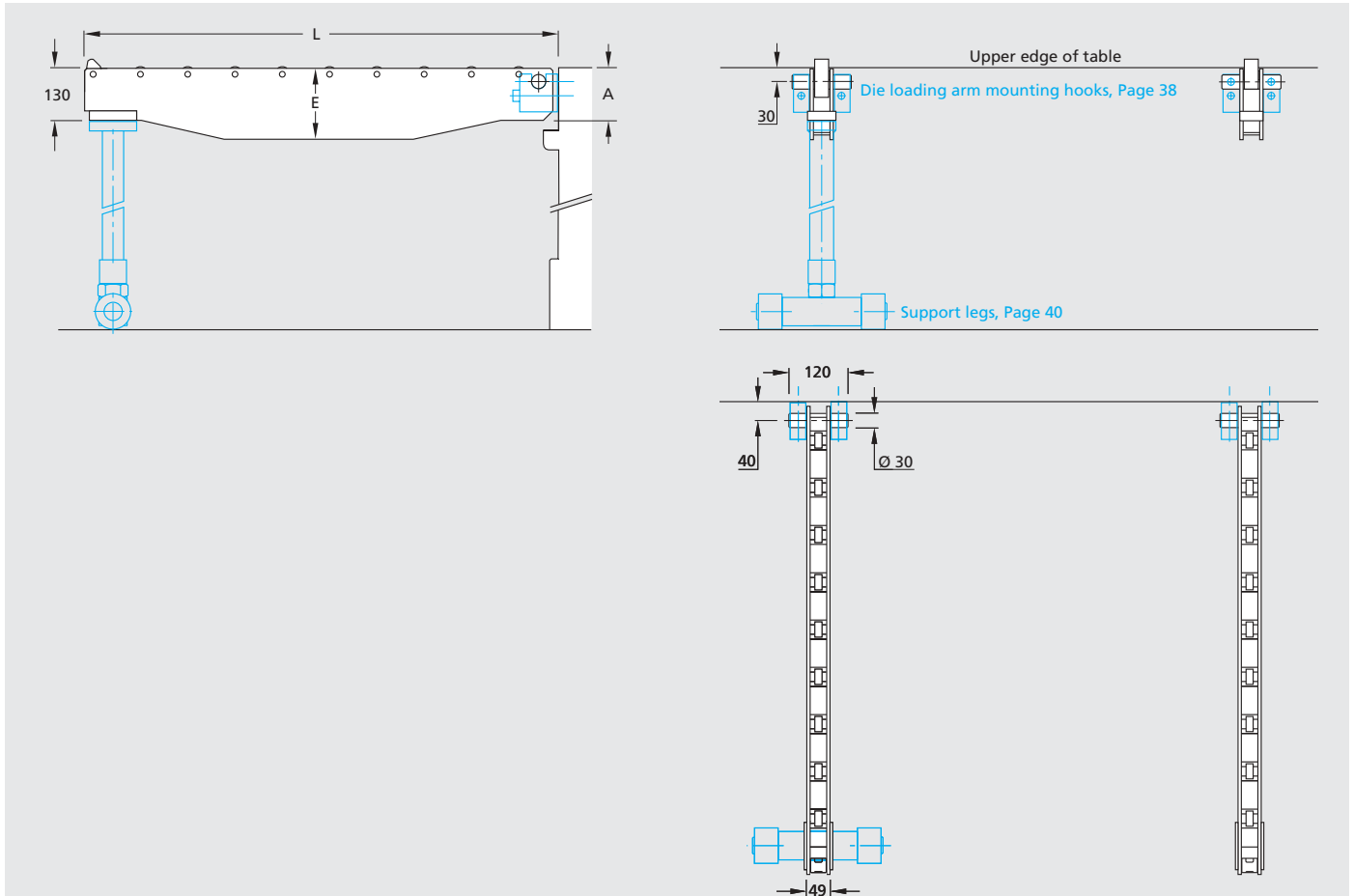
Bridge version

Please order mounting hooks and support legs separately. Page 38 and 40

Type list

Load bearing capacity	Length L	Attachment height A	Order code	Die loading arm height E
20 kN	1000 mm	110 mm	CT 02/1000 F	150
20 kN	1250 mm	110 mm	CT 02/1250 F	180
20 kN	1600 mm	110 mm	CT 02/1600 F	205
40 kN	1000 mm	110 mm	CT 04/1000 F	180
40 kN	1250 mm	110 mm	CT 04/1250 F	205
40 kN	1600 mm	110 mm	CT 04/1600 F	225

See fold-in flap on Page 28 for supplementary order designation 





GÜTHLE

ROLLBLOC

ROLLBLOC Die Loading Arms CT 06/10

Bridge version

Please order mounting hooks and support legs separately. Page 39 and 41

Type list

Load bearing capacity	Length L	Attachment height A	Order code	Die loading arm height E
60 kN	1250 mm	150 mm	CT 06/1250 F	190
60 kN	1600 mm	150 mm	CT 06/1600 F	225
60 kN	2000 mm	150 mm	CT 06/2000 F	250
100 kN	1250 mm	150 mm	CT 10/1250 F	250
100 kN	1600 mm	150 mm	CT 10/1600 F	280
100 kN	2000 mm	150 mm	CT 10/2000 F	320

See fold-in flap on Page 28 for supplementary order designation **1**

