

# → PRACTICAL AND CLEAR

## ROLLBLOC Hydraulic Distributor Plate HV01/HR01

**Universal** For press bed and ram

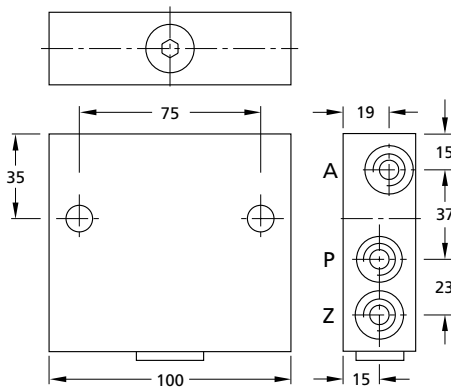
Quick installation due to simple pipework

Also serves as base to mount park stations (see pages 47 and 49)

**Type: With check valve**

**Order code HR01**

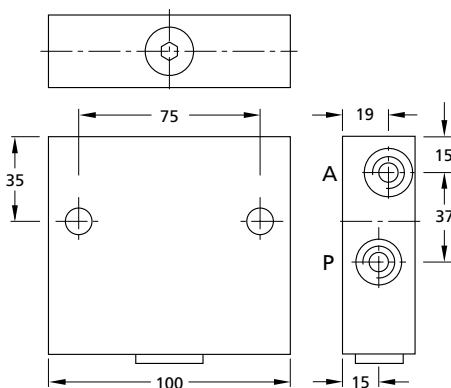
Required valve set D



**Type: Without check valve**

**Order code HV01**

Required valve set E

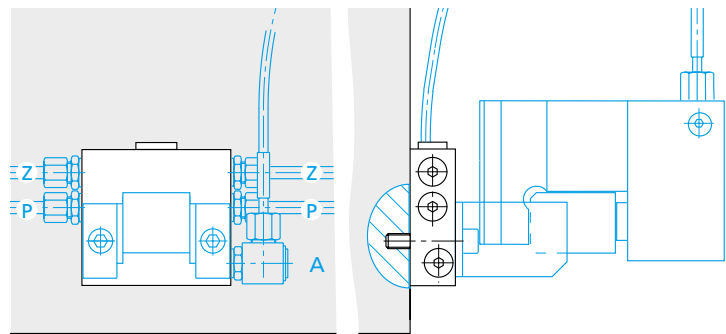


These hydraulic distributor plates are particularly suited to control the ROLLBLOC Clamps. If adaptive clamps are used, any necessary park stations can be mounted directly on the appropriate distributor plate.

**Application example:**

Hydraulic distributor plate with check valve, mounted to the ram.

With mounted park station PS for sliding clamp ES



**Application example:**

Hydraulic distributor plate mounted to the press bed with mounted park station PS for hollow piston clamp HK

