

# ERGONOMIC ↓ AND PRACTICAL

## ROLLBLOC Park Station PH for Hollow Piston Clamps HK

**1 version** for press bed and ram

The park station can be supplemented by a ROLLBLOC hydraulic distributor plate

The ROLLBLOC park stations must be ordered matching the selected and 'measured' ROLLBLOC hollow piston clamps. Use the dimensions **1** **2** from your hollow piston clamps order.

### Selection list – park stations PH (also for combination with hydraulic distributor plates – see page 56)

For hollow piston clamps/type	Order code
HK 06 W.../22 S...	PH 06 W.../22 S...
HK 06 W.../28 S...	PH 06 W.../28 S...
HK 10 W.../28 S...	PH 10 W.../28 S...
HK 10 W.../36 S...	PH 10 W.../36 S...
HK 16 W.../36 S...	PH 16 W.../36 S...

**1**

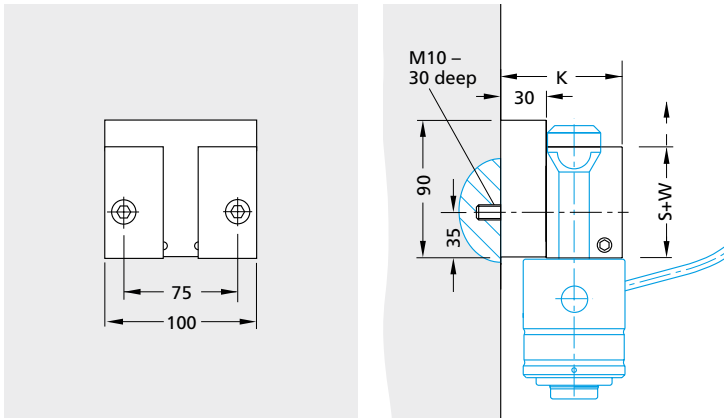
**2**

**1**

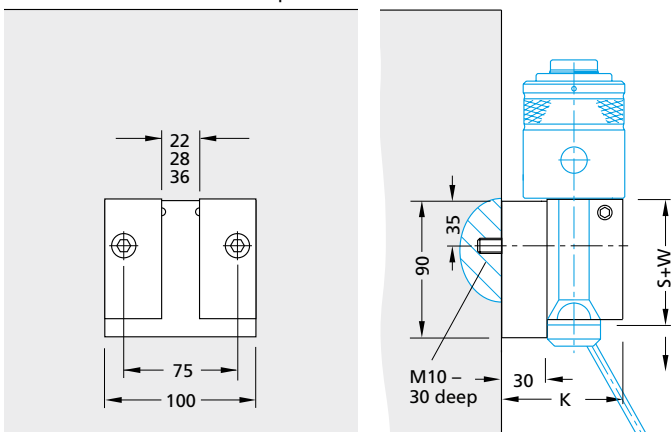
**2**

Supplementary order designation corresponding to hollow piston clamps (explanation on Page 46 and on fold-in flap order designation)

Park station mounted to the ram



Park station mounted to the press bed



### Dimensions

Slot size	Dimension "K"
22	70
28	80
36	90