

# → HYDRAULIC CLAMPING

## HIGH FLEXIBILITY TOGETHER WITH QUICK HANDLING

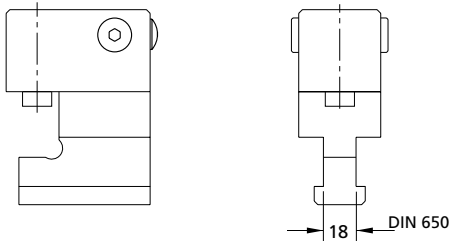
### ROLLBLOC Sliding Clamps ES

**Hydraulic operation** max. pressure 400 bar

Hydraulic single-acting, with spring return. Connection G 1/4"

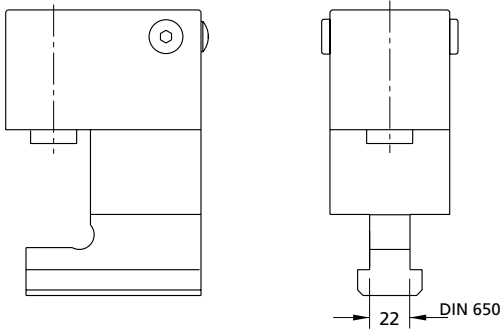
Required valve set: Type E

ES 02W.../18S...



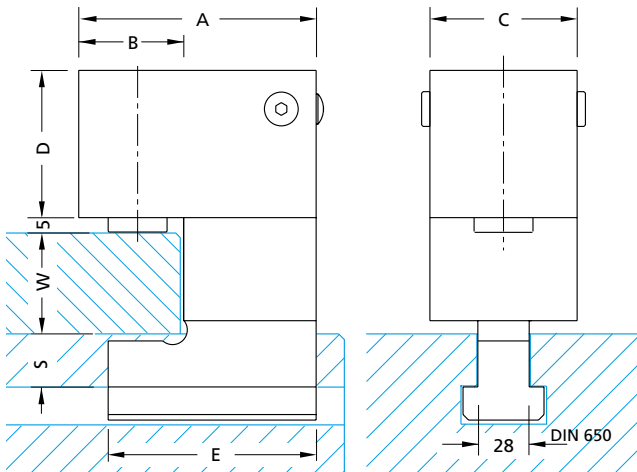
ES 03W.../22S...

ES 05W.../22S...



ES 05W.../28S...

ES 08W.../28S...



#### Type list

Type	Clamping force	For T-slot DIN 650	Order code
ES 02...	20 kN	18	ES02 W.../18S...
ES 03...	32 kN	22	ES03 W.../22S...
ES 05...	50 kN	22	ES05 W.../22S...
ES 05...	50 kN	28	ES05 W.../28S...
ES 08...	80 kN	28	ES08 W.../28S...

See opposite and fold-in flap on Page 46 for supplementary order designation



#### Project planning dimensions

Type	A	B	C	D	E	Recommended clamping stroke*
ES 02...	79	29	45	45	72	5
ES 03...	105	45	65	50	95	5
ES 05...	106	46	65	65	95	5
ES 08...	129	57	80	80	108	5

**1** (W) Height of die clamping edge as 3-position mm specification, e.g. 086 for 86 mm

**2** (S) Shoulder height of T-slot. In view of the standard tolerances in this area, the T-slot in the press table and ram must be measured for ordering Sliding Clamps.

\*Total stroke 8 mm