

# UNIVERSAL

## ↓ PARK STATION

### ROLLBLOC Park Stations PS/PT for Sliding Clamps ES

**2 versions** for press bed and ram

The park station can be supplemented by ROLLBLOC hydraulic distributor plates

The ROLLBLOC park stations must be ordered matching the selected and 'measured' ROLLBLOC sliding clamp. Use the dimensions **1** **2** from your sliding clamp order.

#### Selection list – park stations PS/PT

For Sliding Clamp/type	Park station for ram PS	Park station for bed plate PT
	Order Code	Order code
ES02 W.../18 S...	→ PS 02 W.../18 S...	→ PT02 /18
ES03 W.../22 S...	→ PS 03 W.../22 S...	→ PT03 /22
ES05 W.../22 S...	→ PS 05 W.../22 S...	→ PT05 /22
ES05 W.../28 S...	→ PS 05 W.../28 S...	→ PT05 /28
ES08 W.../28 S...	→ PS 08 W.../28 S...	→ PT08 /28

**1**

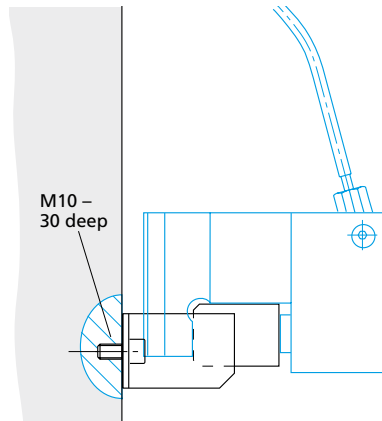
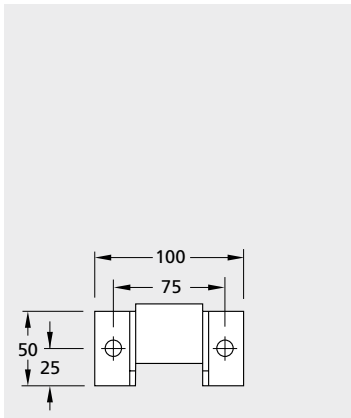
**2**

**1**

**2**

Supplementary order designation corresponding to sliding clamp (explanation on Page 48 and on fold-in flap Page 46 order designation)

Park station in the ram area



Park station at the bed plate

